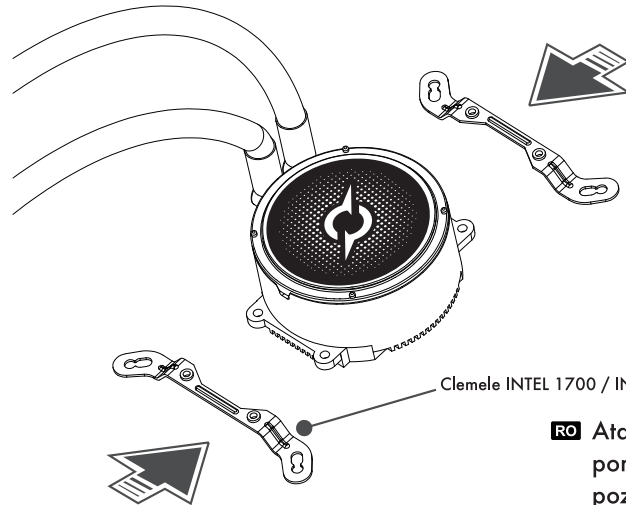


Instalarea pompei - INTEL (1700)

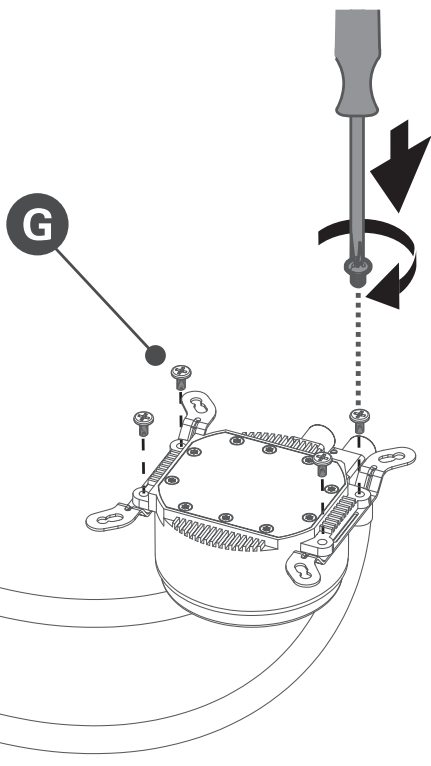
Pump installation - INTEL (1700)



Clemele INTEL 1700 / INTEL 1700 fasteners

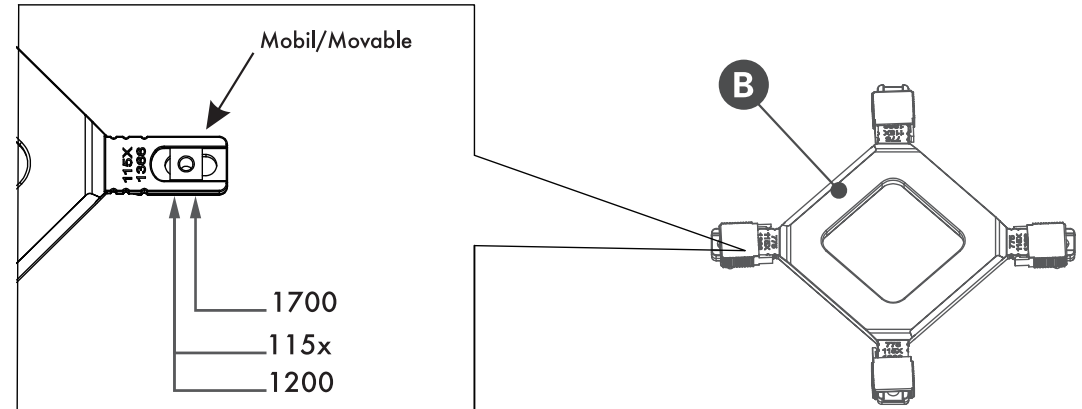
RO Atasati clemele INTEL (pentru socket-ul 1700) la pompa folosind suruburile (G) si respectand pozitionarea din imagine.

EN Attach the INTEL fasteners (for the 1700 socket) to the pump using the screws (G) and following the positioning in the image.



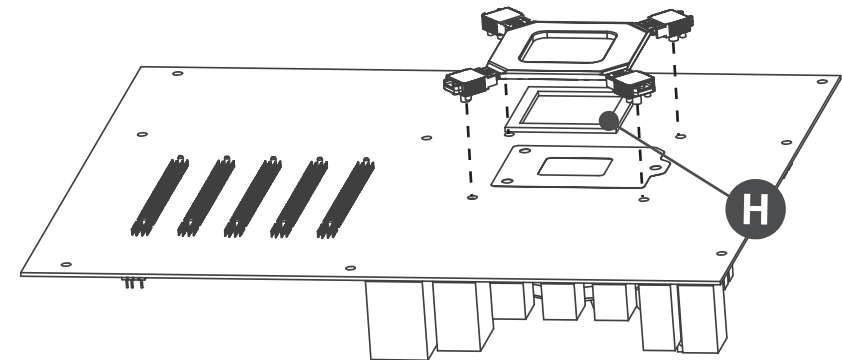
Instalarea pompei - INTEL (1700)

Pump installation - INTEL (1700)



RO Configurati backplate-ul (B) pentru soclul de procesor corespunzator, pozitionand toate cele patru cleme spre interior (pentru socket 1700).

EN Configure the backplate (B) for the appropriate processor socket, positioning all four clips inward (for socket 1700).



RO Instalati backplate-ul in spatele placii de baza intercaland banda dublu-adeziva (H) si verificand pozitionarea in raport cu gaurile placii de baza.

EN Install the backplate behind the motherboard by inserting the double-sided tape (H) and checking the positioning relative to the motherboard holes.