

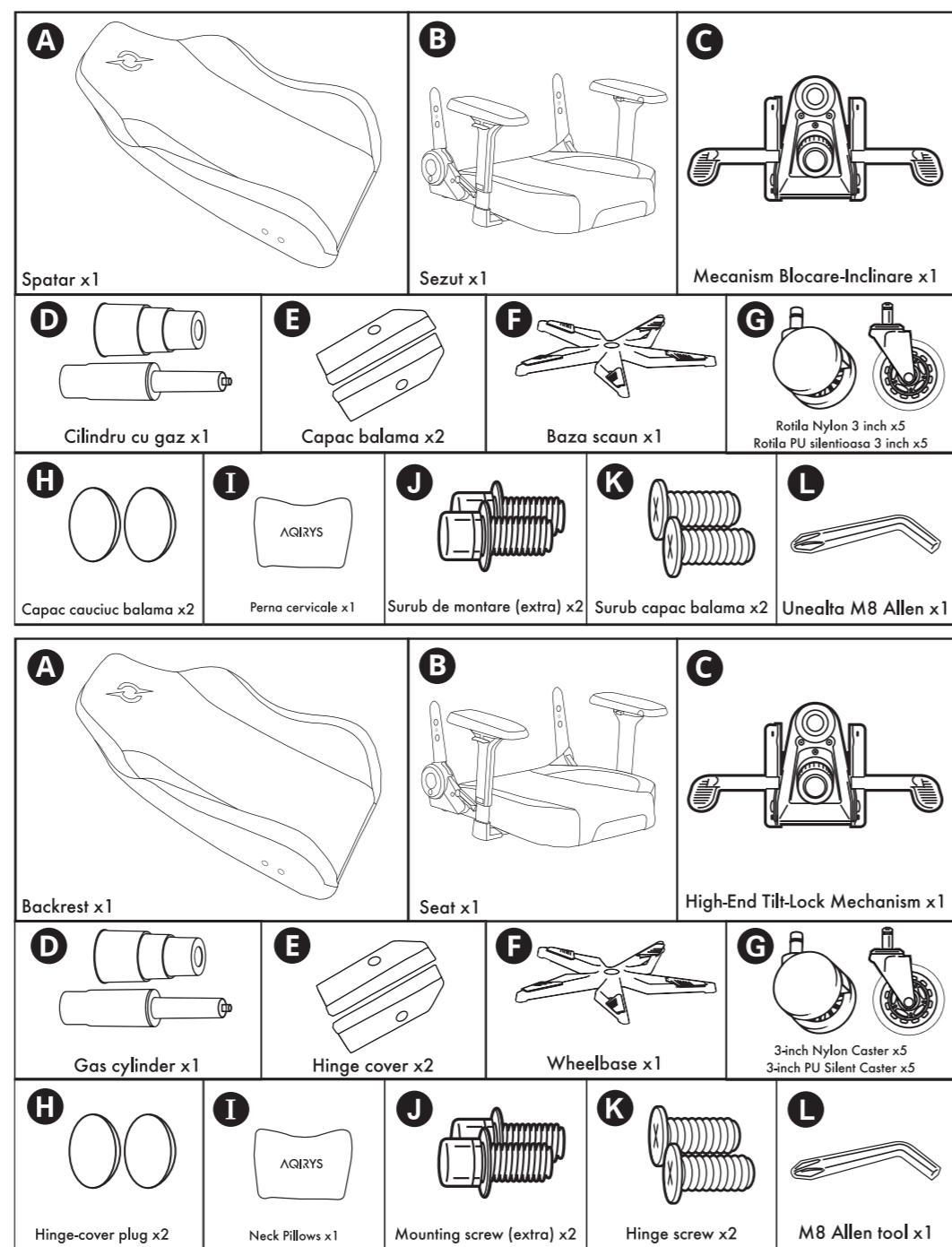
ATLAS

GHID DE INSTALARE
INSTALLATION GUIDE

RO / EN



Ghid de instalare
Installation Guide



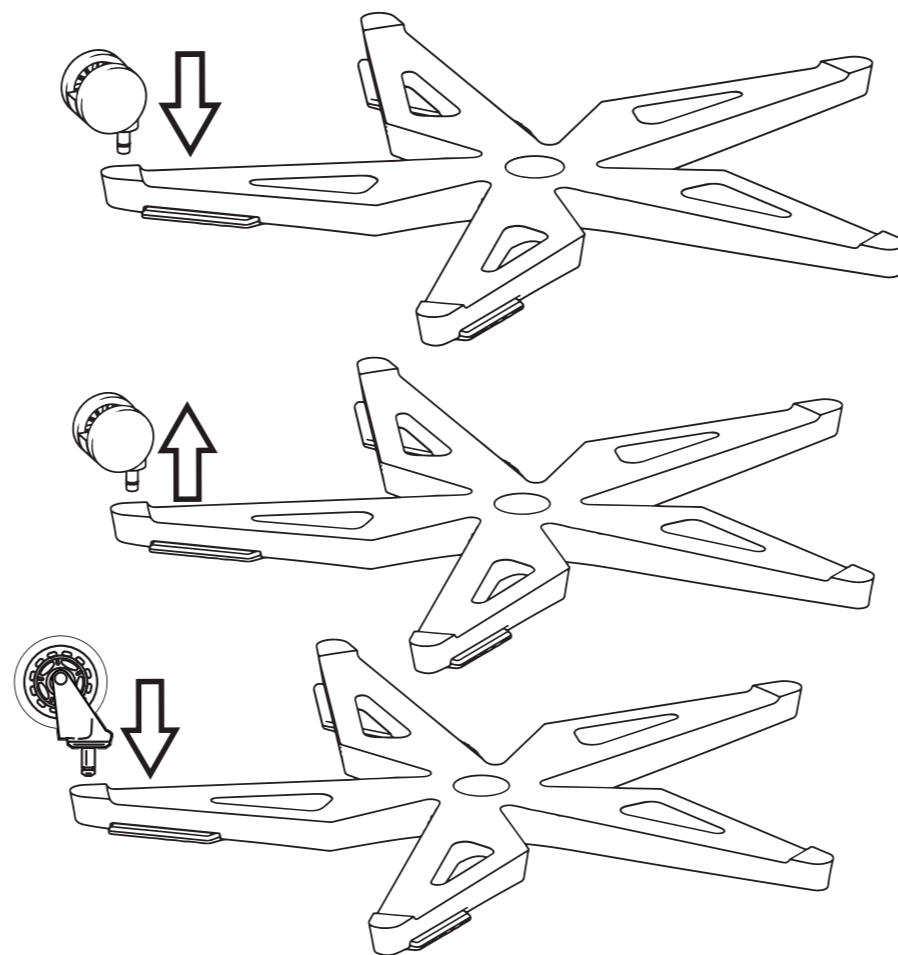
1



Ghid de instalare
Installation Guide

RO 1. Instalati rotile in baza impingandu-le ferm in gaurile corespunzatoare.
In mod similar, puteti scoate si inlocui o roata tragand-o ferm din baza scaunului.

EN 1. Install the casters into the wheelbase by firmly pushing them into their corresponding holes.
Similarly, you can remove and replace a caster by firmly pulling it from the wheelbase.



2



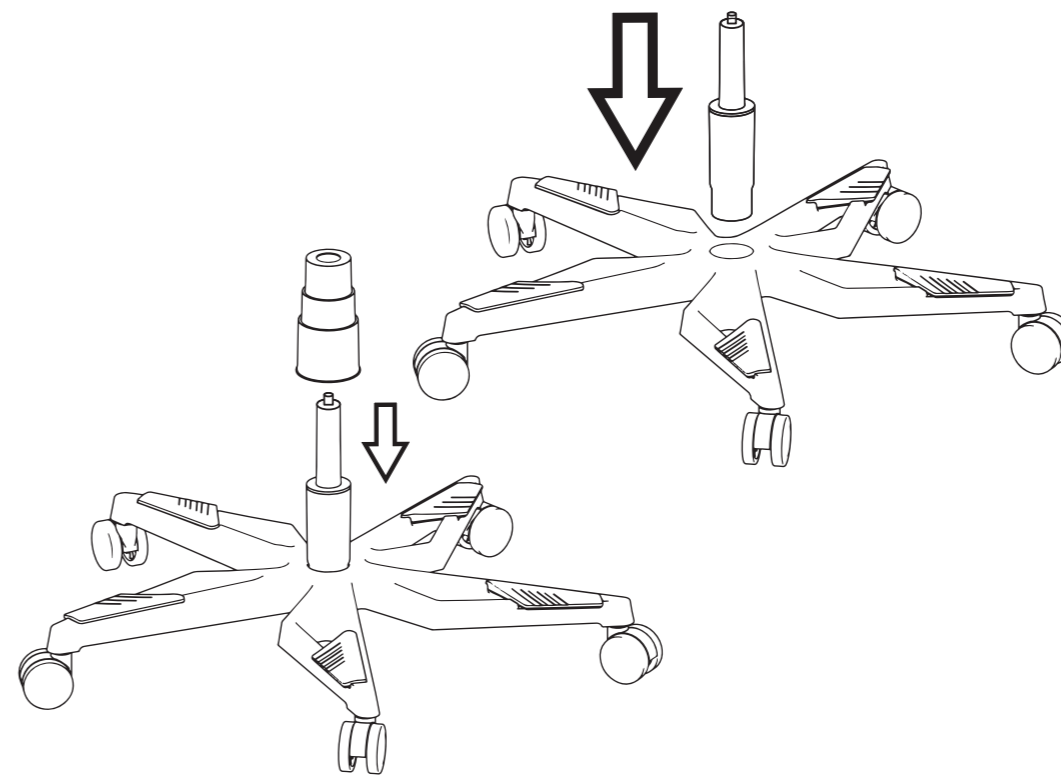
Ghid de instalare
Installation Guide

RO 2. Instalati cilindrul cu gaz deasupra bazei - plasati capatul mai mare in orificiul central al bazei. Asezati masca cilindrului peste cilindrul cu gaz, cu capatul mai mare orientat in jos. Scoateti capcacul rosu de protectie din partea superioara a cilindrului cu gaz.

Va rugam sa retineti ca, daca capacul rosu nu este indepartat, nu veti putea regla inaltimea scaunului!

EN 2. Install the gas cylinder on top of the wheelbase - place the larger end into the center hole of the wheelbase. Place the cylinder cover over the gas cylinder, with the larger end facing down. Remove the protective red cover on top of the gas cylinder.

Please note that if the red cover is not removed, you will not be able to adjust the chair's height!



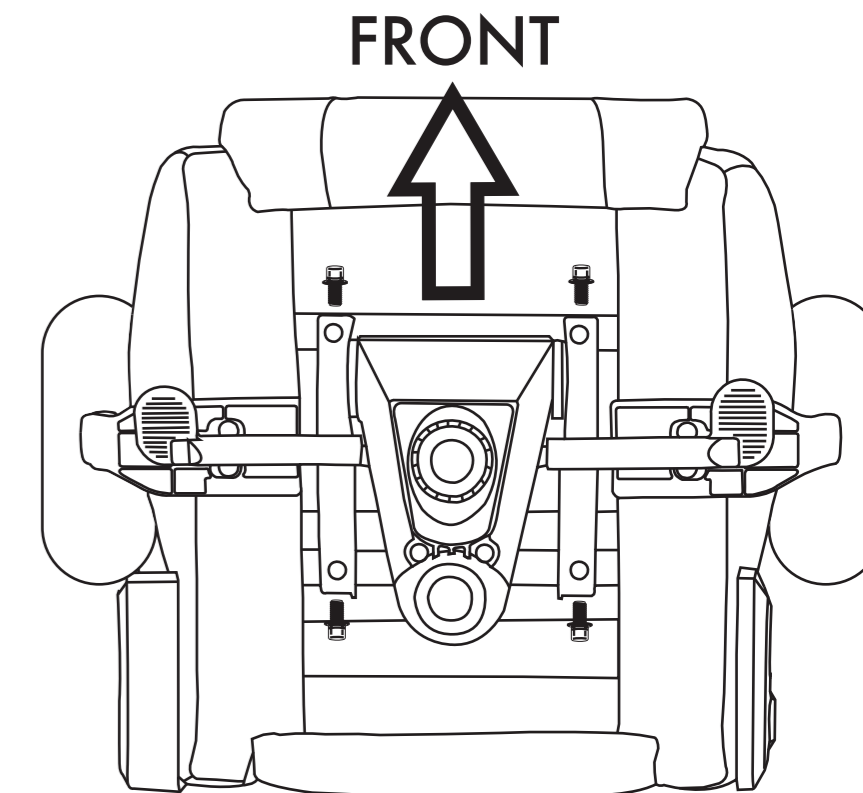
3



Ghid de instalare
Installation Guide

RO 3. Folosind unealta inclusa in pachet, scoateti cele patru suruburi din partea de jos a sezutului, apoi atasati mecanismul de blocare-inclinare si fixati-l de sezut utilizand aceleasi patru suruburi. Va rugam sa retineti, mecanismul trebuie instalat cu partea marcată "Front" spre partea din fata a scaunului.

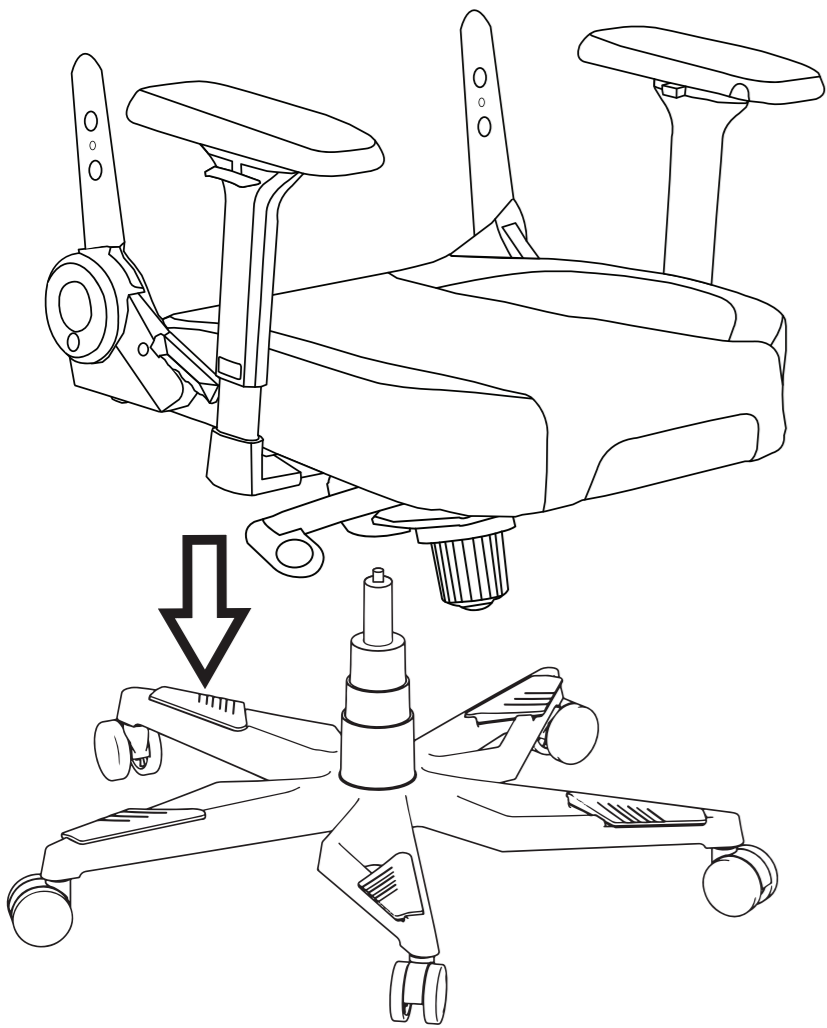
EN 3. Using the provided tool, remove the four screws from the seat bottom, and then attach the tilt-lock mechanism to the seat, fixing it using the same four screws. Please note, the mechanism must be installed with the side marked "Front" towards the front of the seat.



4

RO 4. Atasati sezutul cu mecanismul de blocare-inclinare instalat la cilindrul cu gaz de pe baza scaunului, introducand cilindrul in orificiul central al mecanismului si apasand ferm.

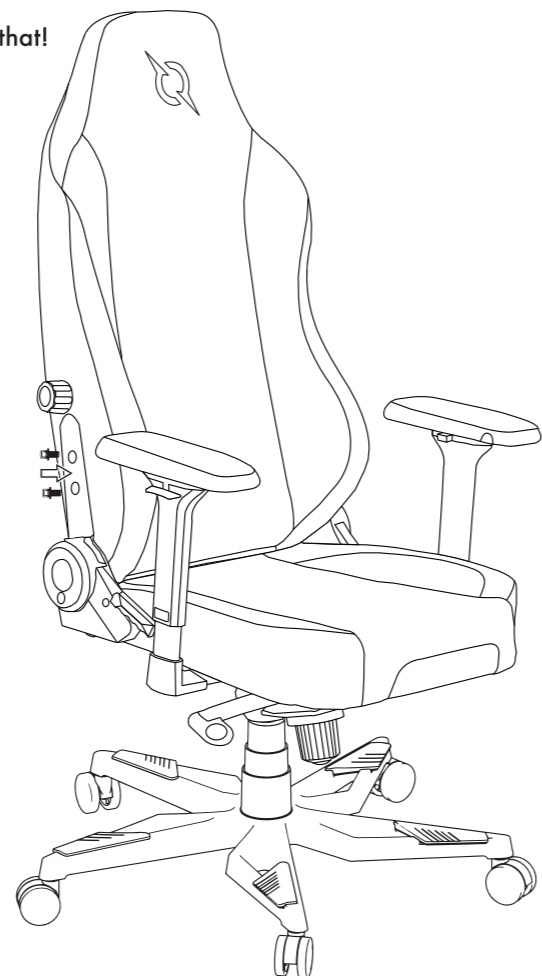
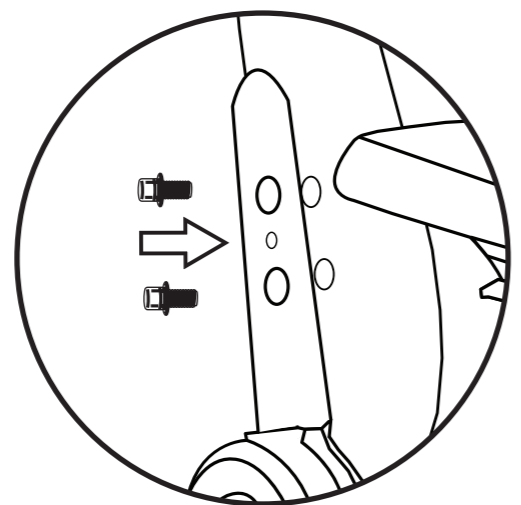
EN 4. Attach the seat with the installed tilt-lock mechanism to the gas cylinder on the wheelbase by inserting the cylinder into the center hole of the seat mechanism and firmly pressing down.



5

RO 5. Folosind unealta inclusa in pachet, scoateti suruburile din spatar. Atasati spatarul la sezut si fixati-l cu suruburile de montare incepand din partea care include mecanismul de rabatare. Strangeti suruburile treptat doar dupa ce ambele parti au suruburile introduse (doua pe fiecare parte).
Nu strangeti complet un surub inainte!

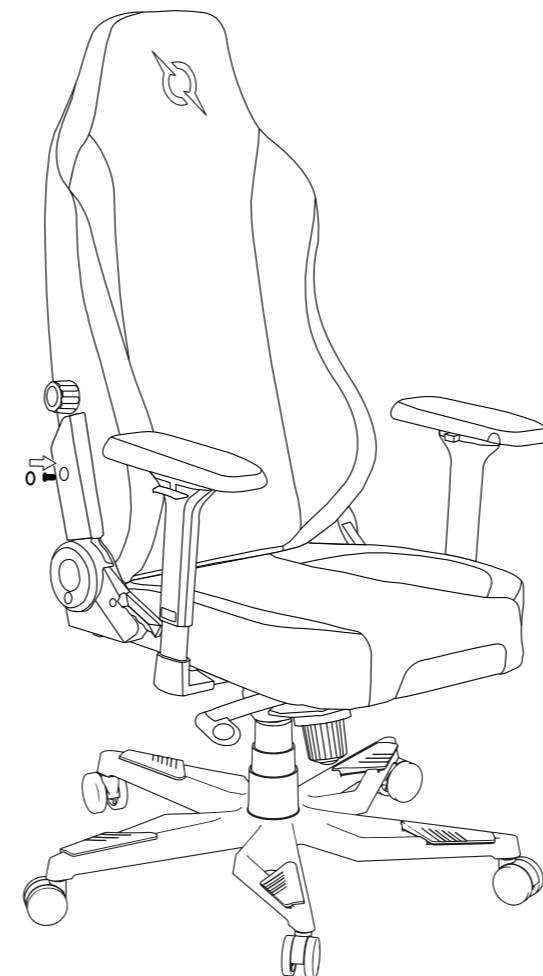
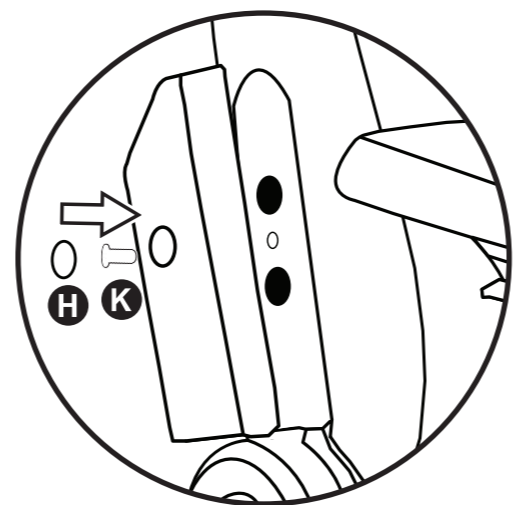
EN 5. Using the provided tool, remove the screws from the backrest. Attach the backrest to the seat, and secure it with the mounting screws starting from the side that holds the reclining mechanism. Tighten the screws gradually after both sides have the screws inserted (two on each side).
Do not fully tighten a screw before that!



6

RO 6. Asezati capacul balamalei pe suportul balamalei si fixati-l folosind suruburile capacului balamalei si unealta inclusa. Atasati capacele de cauciuc pentru a ascunde suruburile capacelor.

EN 6. Place the hinge cover onto the hinge bracket and fix it using the hinge cover screws and the provided tool. Attach the rubber caps to hide the covers screws.



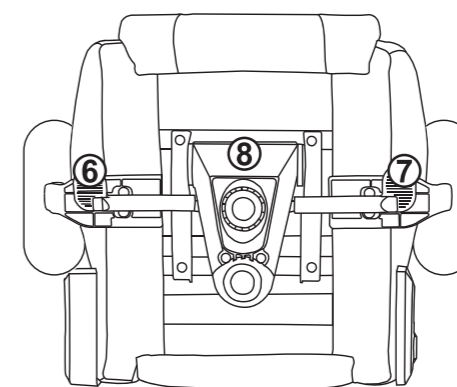
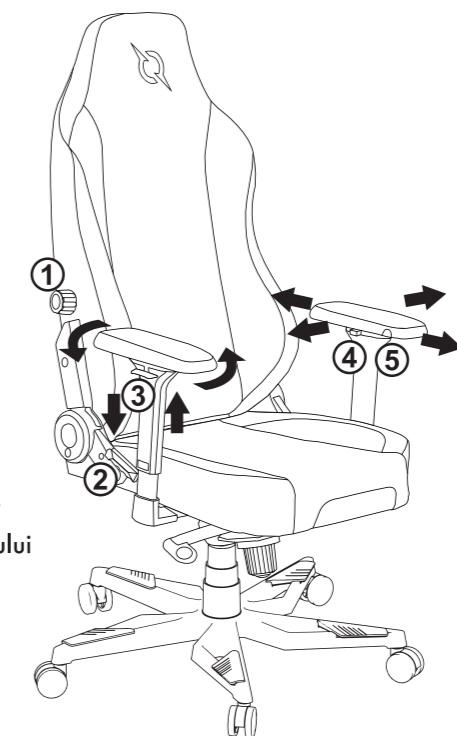
7

Reglarea scaunului

Chair adjustment

- RO**
1. Buton de reglare a suportului lombar
 2. Maneta de inclinare a spatelui
 3. Buton de reglare a inaltimii cotierei
 4. Buton glisare cotiera interior/exterior
 5. Buton glisare cotiera inainte/inapoi
 6. Maneta de reglare a inaltimii scaunului
 7. Maneta de blocare a inclinarii/unghiului scaunului
 8. Sistem pentru reglarea fortei de inclinare a scaunului

- EN**
1. Lumbar support adjustment button
 2. Backrest recline lever
 3. Armrest height adjustment button
 4. Armrest slide in/out button
 5. Armrest slide forward/backward button
 6. Chair height adjustment lever
 7. Chair tilt/angle lock lever
 8. Chair tilt tension adjustment system



8

SUPPORT

SUPPORT

RO Daca intampinati erori sau orice alte probleme in utilizarea produsului nu ezitati sa ne contactati.

EN If you encounter errors or any other problems with the product don't hesitate to contact us.

 support@aqirys.com



SCAN ME
(product page)



SCAN ME
(Follow us)

© AQIRYS®. All rights reserved. AQIRYS® name and logo and all other related products, service names, and design marks are trademarks or registered trademarks of PC-coolers SRL. All other brand names and trademarks are the property of their respective owners. Specifications and design are subject to change without notice due to product improvements.