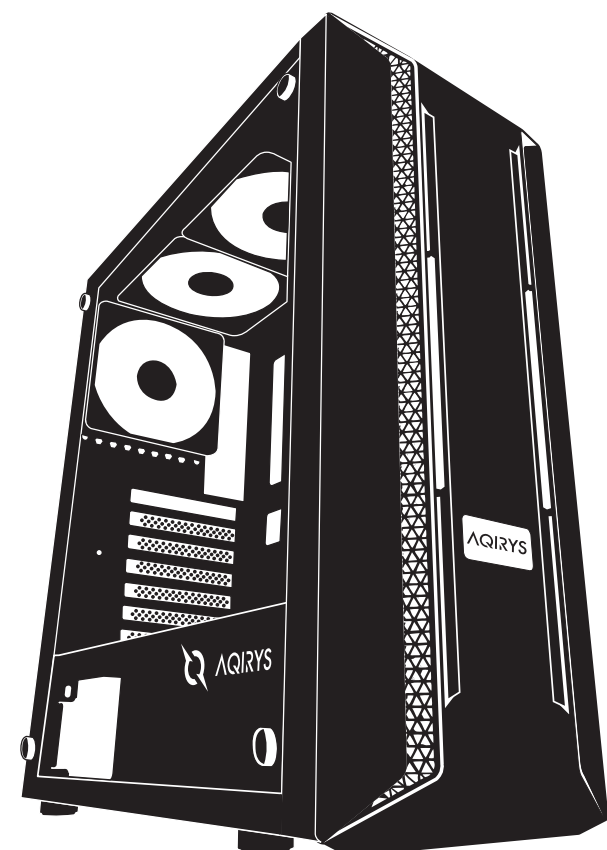




MIZAR

GHID DE INSTALARE

INSTALLATION GUIDE



RO / EN

CARACTERISTICI CARCASA

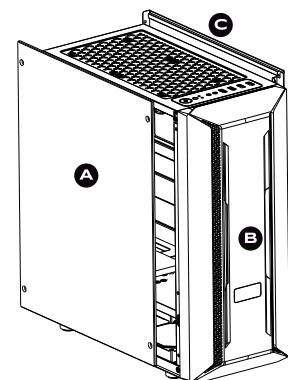
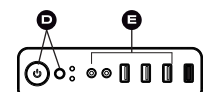
CHASSIS FEATURES

RO

- A - panou stanga din sticla securizata
- B - panou frontal cu iluminare RGB
- C - panou dreapta din otel
- D - Buton Power / Buton LED control
- E - 1x USB 3.0 / 2x USB 2.0 / HD Audio

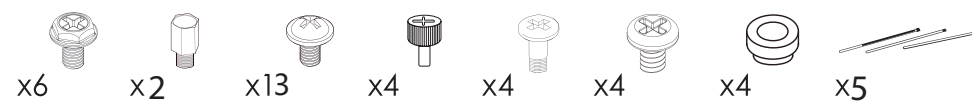
EN

- A - left panel (tempered glass)
- B - front panel with RGB lighting
- C - right panel (steel)
- D - Power button / LED control button
- E - 1x USB 3.0 / 2x USB 2.0 / HD Audio



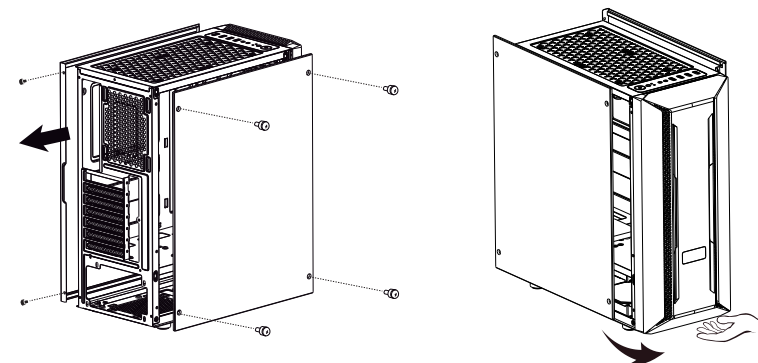
ACCESORII INCLUSE

ACCESSORY BAG



1-SCOATEREA PANOURILOR

1-REMOVE PANELS



2- INSTALAREA PLACII DE BAZA

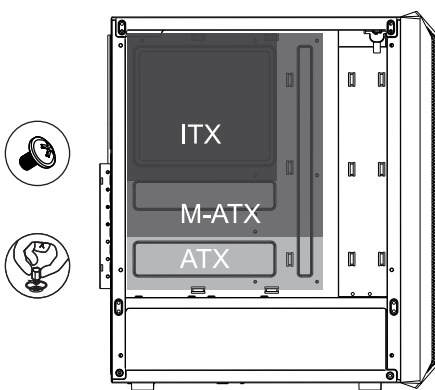
2-INSTALL THE MOTHERBOARD

RO

- Aliniati gaurile placii de baza cu distantierele din cupru si fixati folosind suruburile Nr.3.
- Daca unul dintre distantiere lipseste, adaugati un distantier nou Nr.2.

EN

- Align the motherboard holes with the copper spacers and secure using the No.3 screws.
- If one of the spacers is missing, add a new spacer (No.2).



3-INSTALAREA PLACII GRAFICE

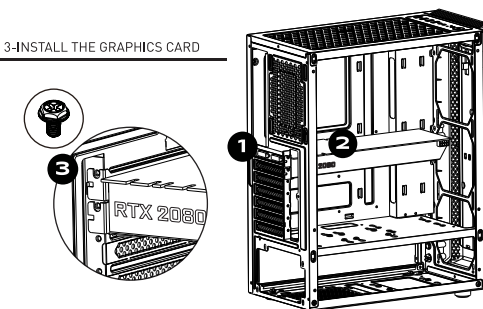
3-INSTALL THE GRAPHICS CARD

RO

- Scoateti capacul de protectie al sloturilor PCI.
- Instalati placa grafica.
- Fixati placa grafica cu surub.

EN

- Remove the protective cover of the PCI slots.
- Install the graphics card.
- Secure the graphics card with a screw.



4-INSTALAREA SURSEI DE ALIMENTARE

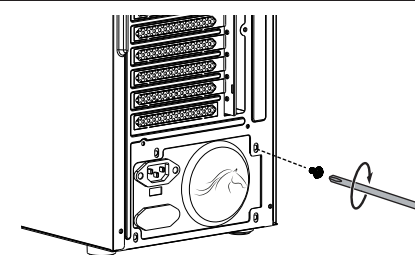
4-INSTALL THE POWER SUPPLY

RO

- Va rugam sa va asigurati ca fantele de aerisire ale sursei si gaurile de prindere pentru suruburi sunt pozitionate corect fata de carcasa.

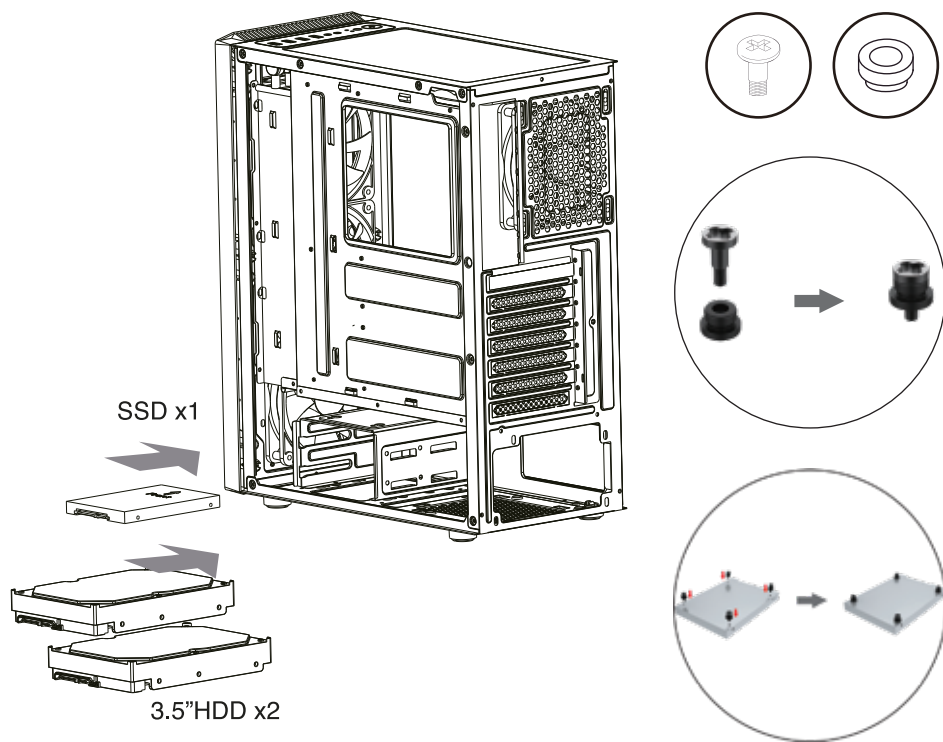
EN

- Please make sure that the PSU ventilation slots and threaded holes are positioned correctly in relation to the chassis.



5-INSTALAREA HDD SI SSD

5-INSTALL HDD & SSD



6-INSTALAREA VENTILATOARELOR (maxim acceptat)

6-INSTALL THE FANS

RO

- Tavan: 2x 120 mm
- Frontal: 3x 120 mm
- Spate: 1x 120 mm
- Camera sursei: 2x 120 mm

Pentru performante superioare carcasa permite folosirea unui sistem de racire cu lichid, oferind posibilitatea instalarii unui radiator slim de 120mm (25 mm grosime maxima).

Nota: Pentru functionarea corespunzatoare a ventilatoarelor incluse, va rugam sa le conectati doar la adaptorul tata de 4 pini de pe panoul frontal.

EN

- Top: 2x 120 mm
- Front: 3x 120 mm
- Back: 1x 120 mm
- Bottom: 2x 120 mm

For superior performance, the chassis allows the use of a liquid cooling system, offering the possibility of installing a 120mm slim radiator (25 mm maximum thickness).

Note: For the correct operation of the included fans, please connect them only to the 4-pin male adapter on the front panel.

